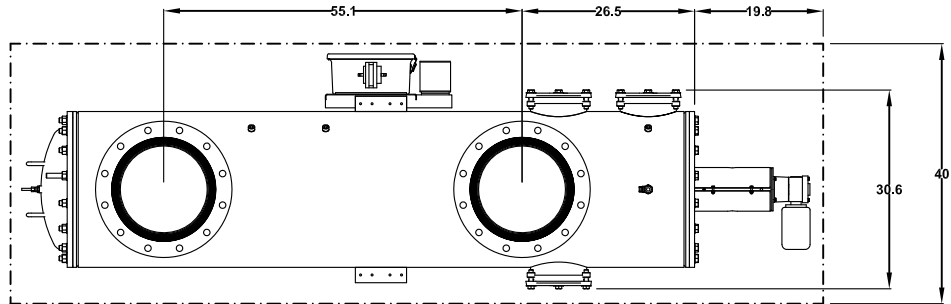
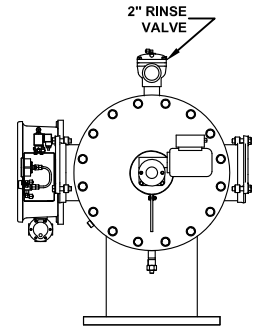
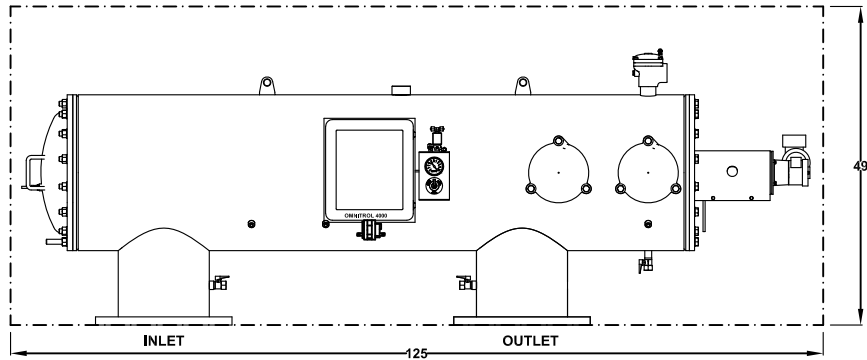
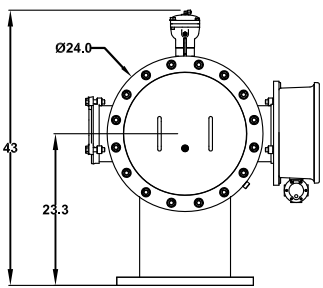
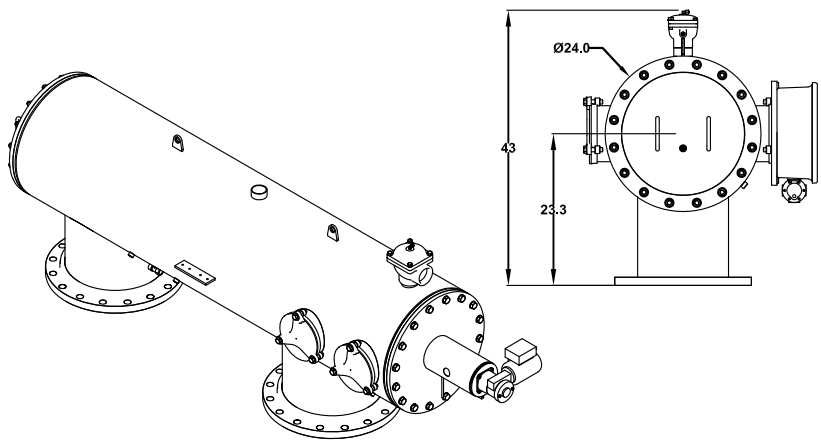


**FREE SPACE REQUIRED FOR MAINTENANCE**

**FREE SPACE REQUIRED FOR INSTALLATION**



**ALL DIMENSIONS IN INCHES UNLESS INDICATED**  
Orival Inc. reserves the right to modify filter dimensions without prior notice.

<b>TECHNICAL DATA</b>	
MAXIMUM FLOW RATE:	5000 G.P.M.
AVAILABLE SCREEN SIZES:	10, 25, 50, 80, 100,150, 200, 400, 800, 1000, 1500 MICRON
OPEN SCREEN AREA:	2500 SQ. INCHES
MAXIMUM WORKING PRESSURE:	150 PSIG
MINIMUM INLET PRESSURE REQUIRED DURING RINSE CYCLE	30 PSIG
MAX. WORKING TEMPERATURE:	150°F
INLET/OUTLET FLANGES:	14" ANSI 150#
DRAIN VALVE CONNECTION:	2"
DRAIN HEADER SIZE:	2" MINIMUM
DRIVE MOTOR RATING:	1/4 or 1/3 HP, TEFC
INPUT VOLTAGES TO CONTROLLER:	110-120 Vac - 60 Hz - 1 Phase 220-240 Vac - 50 Hz - 1 Phase
APPROXIMATE WEIGHT - DRY:	1385 LBS.
APPROXIMATE SHIPPING WEIGHT:	1520 LBS.
APPROXIMATE WEIGHT FULL OF WATER:	2785 LBS.

**DATA SHEET**  
**ORE/A-14-PX**  
**AUTOMATIC SELF-CLEANING FILTER**

**ORIVAL, INC.**  
213 S. VAN BRUNT ST.  
ENGLEWOOD, N.J. 07631  
TEL (201) 568-3311, FAX (201) 568-1916  
[www.orival.com](http://www.orival.com)  
[filters@orival.com](mailto:filters@orival.com)