

**FREE SPACE REQUIRED FOR MAINTENANCE**

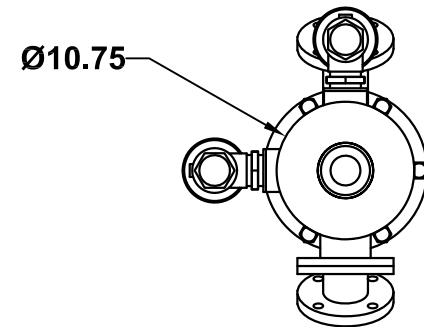
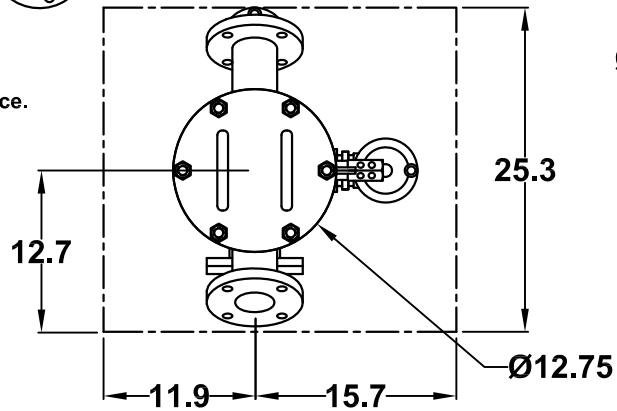
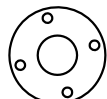
**FREE SPACE REQUIRED FOR INSTALLATION**

ALL DIMENSIONS IN INCHES UNLESS INDICATED

Orival Inc. reserves the right to modify filter dimensions without prior notice.

**TECHNICAL DATA**

MAXIMUM FLOW RATE:	175 G.P.M.
AVAILABLE SCREEN MICRON SIZES:	5, 10, 15, 25, 30, 40, 50, 80, 100, 120, 150, 200, 400, 800, 1000, 1500, 3000
OPEN AREA STANDARD SCREEN :	237 SQ. INCHES
OPEN AREA HIGH PERFORMANCE SINTERED MULTI-LAYERED SCREEN:	356 SQ. INCHES
MAXIMUM WORKING PRESSURE:	150 PSIG
MINIMUM INLET PRESSURE REQUIRED DURING RINSE CYCLE:	30 PSIG
MAX. WORKING TEMPERATURE:	150°F
INLET/OUTLET FLANGES:	3" ANSI 150#
DRAIN VALVE CONNECTION:	2 X 2" THREADED
DRAIN HEADER SIZE:	3" MINIMUM
APPROX. EMPTY WEIGHT:	205 LBS.
APPROX. FULL OF WATER WEIGHT:	335 LBS.



**DATA SHEET**

**OR-03-IE**

AUTOMATIC SELF-CLEANING FILTER

REV 4/14

**ORIVAL, INC.**

213 S. VAN BRUNT ST.  
ENGLEWOOD, N.J. 07631

TEL (201) 568-3311, FAX (201) 568-1916  
www.orival.com, filters@orival.com