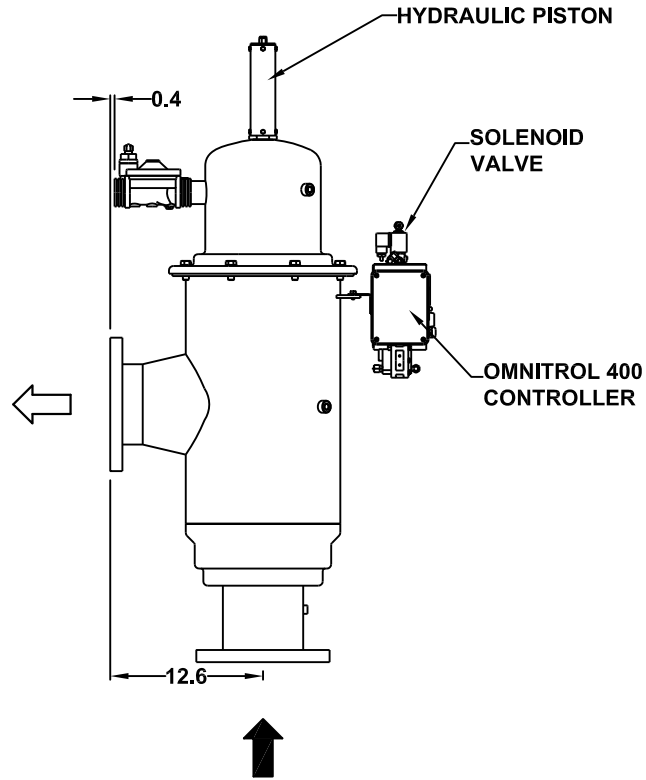
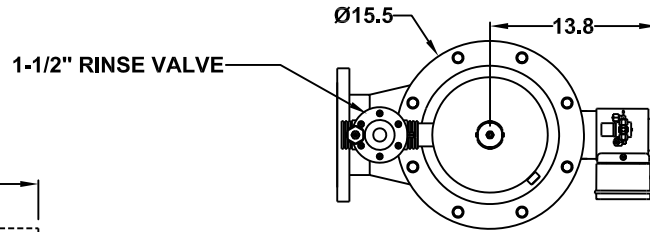
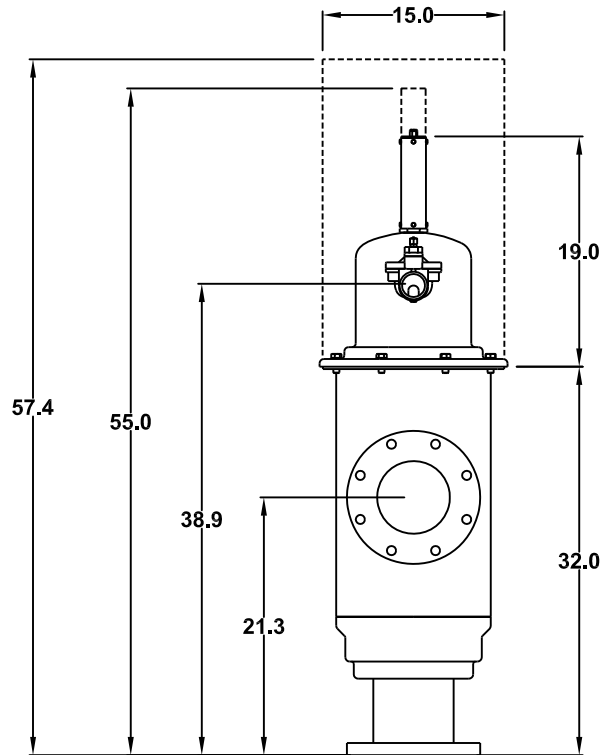


**FREE SPACE REQUIRED  
FOR MAINTENANCE**

ALL DIMENSIONS IN INCHES UNLESS INDICATED



Orival Inc. reserves the right to modify filter dimensions without prior notice.

**TECHNICAL DATA**

MAXIMUM FLOW RATE:	660 G.P.M.
AVAILABLE SCREEN MICRON SIZES:	5, 10, 15, 25, 30, 40, 50, 80, 100, 120, 150, 200, 400, 800, 1000, 1500, 3000
OPEN AREA STD. SCREEN :	466 SQ. INCHES
OPEN AREA HIGH PERFORMANCE SINTERED MULTI-LAYERED SCREEN:	700 SQ. INCHES
MAXIMUM WORKING PRESSURE:	150 PSIG
MINIMUM INLET PRESSURE REQUIRED DURING RINSE CYCLE:	30 PSIG
MAX. WORKING TEMPERATURE:	150°F
INLET/OUTLET CONNECTIONS:	6" ANSI 150# RF
DRAIN VALVE CONNECTION:	1-1/2" FEMALE
DRAIN HEADER SIZE:	1-1/2" MINIMUM
APPROX. EMPTY WEIGHT:	245 LBS.
APPROX. FULL OF WATER WEIGHT:	325 LBS.

**DATA SHEET**

**ORG-060-LS**

**AUTOMATIC SELF-CLEANING FILTER**

**ORIVAL, INC.**

**213 S. VAN BRUNT ST.**

**ENGLEWOOD, N.J. 07631**

**TEL (800) 567-9767, (201) 568-3311**

**FAX (201) 568-1916**

**www.orival.com**

**filters@orival.com**