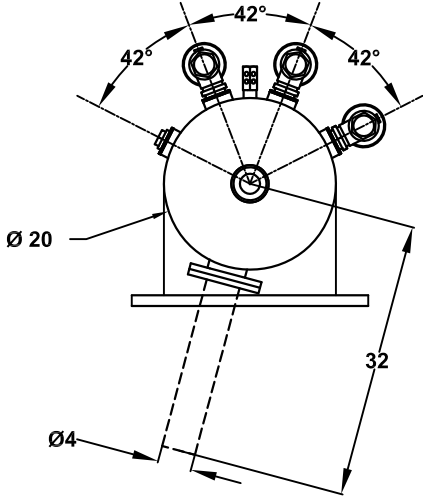
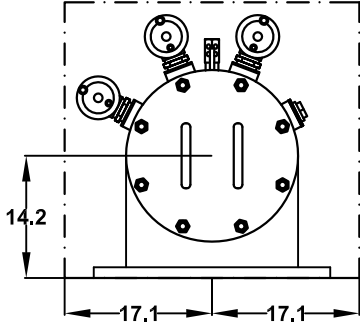
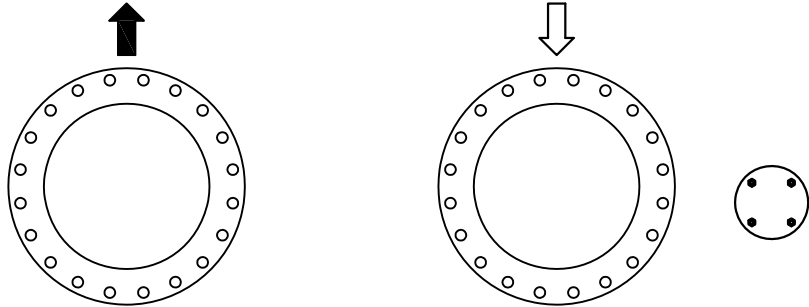


FREE SPACE REQUIRED FOR MAINTENANCE

FREE SPACE REQUIRED FOR INSTALLATION

ALL DIMENSIONS IN INCHES UNLESS INDICATED

Orival Inc. reserves the right to modify filter dimensions without prior notice.



TECHNICAL DATA

MAXIMUM FLOW RATE:	8100 G.P.M.
AVAILABLE SCREEN SIZES:	5, 10, 15, 25, 30, 40, 50, 80, 100, 120, 150, 200, 400, 800, 1500, 3000
OPEN AREA STANDARD SCREEN :	1070 SQ. INCHES
HIGH PERFORMANCE SINTERED OPEN AREA MULTI-LAYERED SCREEN:	1605 SQ. INCHES
MAXIMUM WORKING PRESSURE:	150 PSIG
MINIMUM INLET PRESSURE REQUIRED DURING RINSE CYCLE:	30 PSIG
MAX. WORKING TEMPERATURE:	150°F
INLET/OUTLET FLANGES:	20" ANSI 150#
DRAIN VALVE CONNECTION:	3 X 2" THREADED
DRAIN HEADER SIZE:	4" MINIMUM
APPROX. EMPTY WEIGHT:	1070 LBS.
APPROX. FULL OF WATER WEIGHT:	2255 LBS.

DATA SHEET

OR-20-PS

AUTOMATIC SELF-CLEANING FILTER

REV 4/14

ORIVAL, INC.
 213 S. VAN BRUNT ST.
 ENGLEWOOD, N.J. 07631
 TEL (201) 568-3311, FAX (201) 568-1916