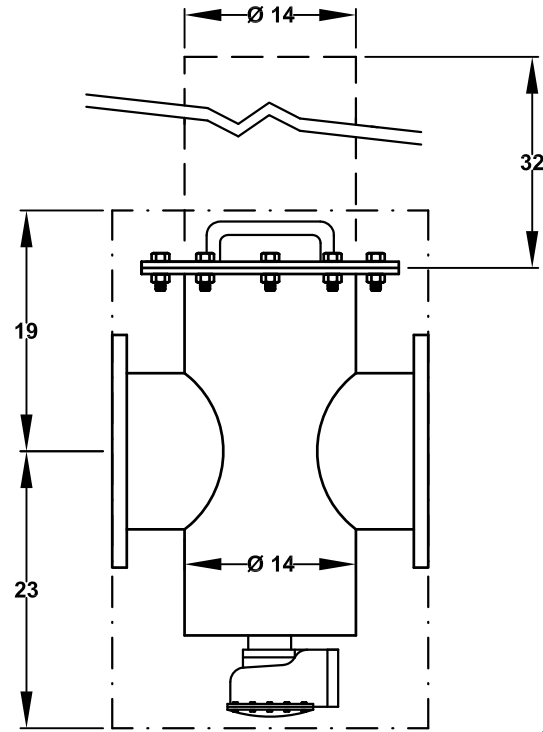
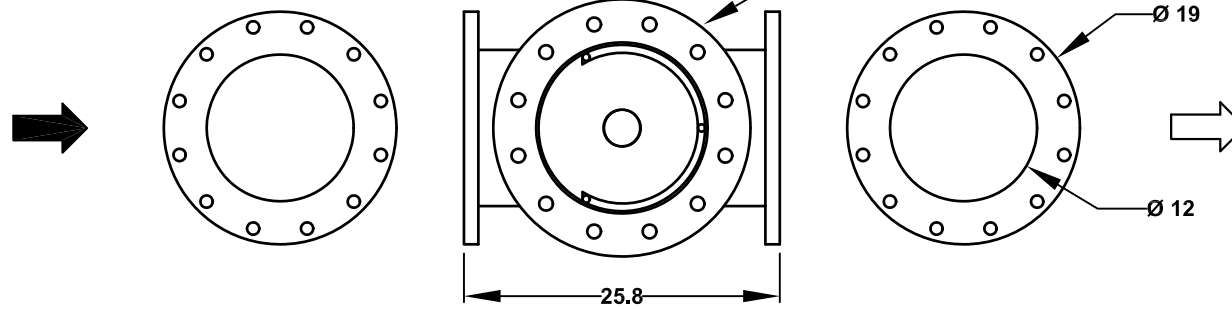


FREE SPACE REQUIRED  
FOR MAINTENANCE

FREE SPACE REQUIRED  
FOR INSTALLATION



TOP VIEW WITH Ø 21  
COVER REMOVED



ALL DIMENSIONS IN INCHES UNLESS INDICATED

Orival Inc. reserves the right to modify filter dimensions without prior notice.

### TECHNICAL DATA

MAXIMUM FLOW RATE:	2750 G.P.M.
AVAILABLE SCREEN SIZES:	3000, 5000 & 8000 MICRON
MAXIMUM WORKING PRESSURE:	150 PSIG
INLET/OUTLET FLANGES:	12" ANSI 150#
DRAIN VALVE CONNECTION:	3"
DRY / SHIPPING WEIGHT:	375 / 525 POUNDS

# ORC-12

AUTOMATIC SELF-CLEANING FILTER

**ORIVAL, INC.**  
213 S. VAN BRUNT ST.  
ENGLEWOOD, N.J. 07631  
TEL (201) 568-3311, FAX (201) 568-1916  
www.orival.com -- filters@orival.com