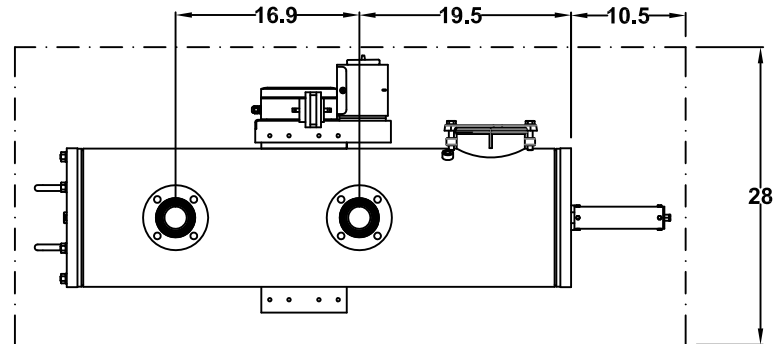
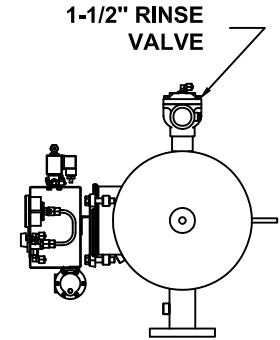
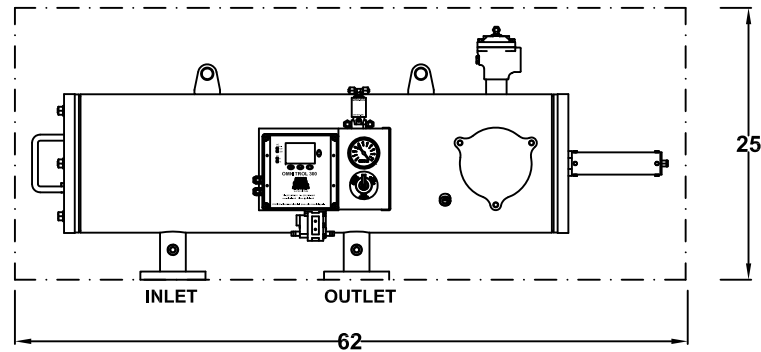
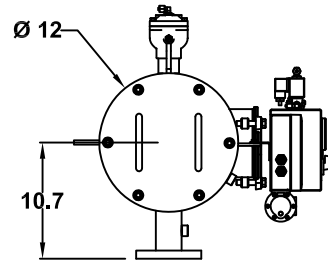
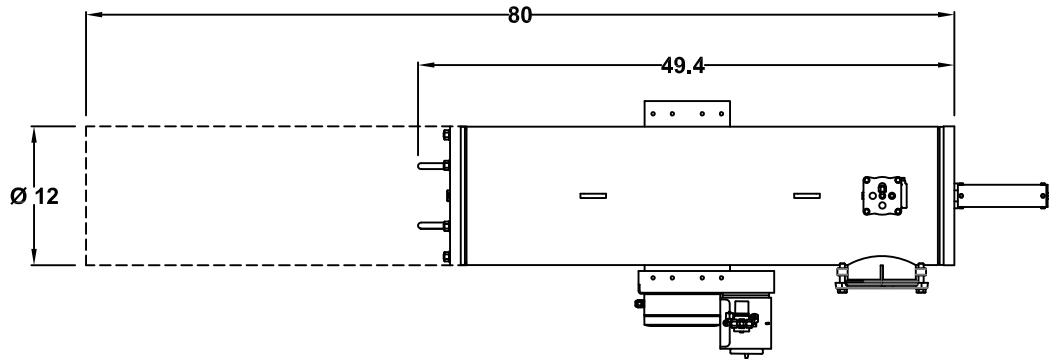


**FREE SPACE REQUIRED  
FOR MAINTENANCE**

**FREE SPACE REQUIRED  
FOR INSTALLATION**



**ALL DIMENSIONS IN INCHES UNLESS INDICATED**

Orval Inc. reserves the right to modify filter dimensions without prior notice.

## TECHNICAL DATA

MAXIMUM FLOW RATE:	110 G.P.M.
AVAILABLE SCREEN MICRON SIZES:	5, 10, 15, 25, 30, 40, 50, 80, 100, 120, 150, 200, 300, 400, 800, 1000, 1500, 3000
OPEN SCREEN AREA - STANDARD SCREEN:	254 SQ. INCHES
OPEN SCREEN AREA - HIGH PERFORMANCE MULTI-LAYERED, SINTERED SCREEN:	390 SQ. INCHES
MAXIMUM WORKING PRESSURE:	150 PSIG
MINIMUM INLET PRESSURE REQUIRED DURING RINSE CYCLE	30 PSIG
MAX. WORKING TEMPERATURE:	150°F
INLET/OUTLET FLANGES:	2" ANSI 150# RF
DRAIN VALVE CONNECTION:	1-1/2"
DRAIN HEADER SIZE:	1-1/2" MINIMUM
APPROXIMATE WEIGHT - DRY:	345 LBS.
APPROXIMATE SHIPPING WEIGHT:	430 LBS.
APPROXIMATE WEIGHT FULL OF WATER:	450 LBS.

## DATA SHEET

# ORZ-02-PS

**AUTOMATIC SELF-CLEANING FILTER**

**ORIVAL, INC.**

213 S. VAN BRUNT ST.

ENGLEWOOD, N.J. 07631

TEL (201) 568-3311, FAX (201) 568-1916

www.orival.com

filters@orival.com