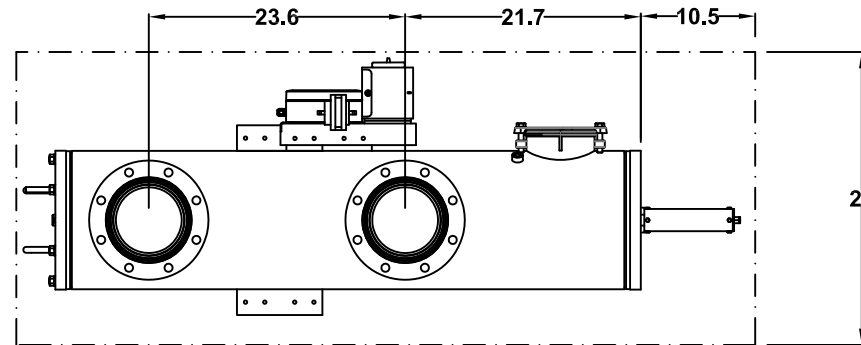
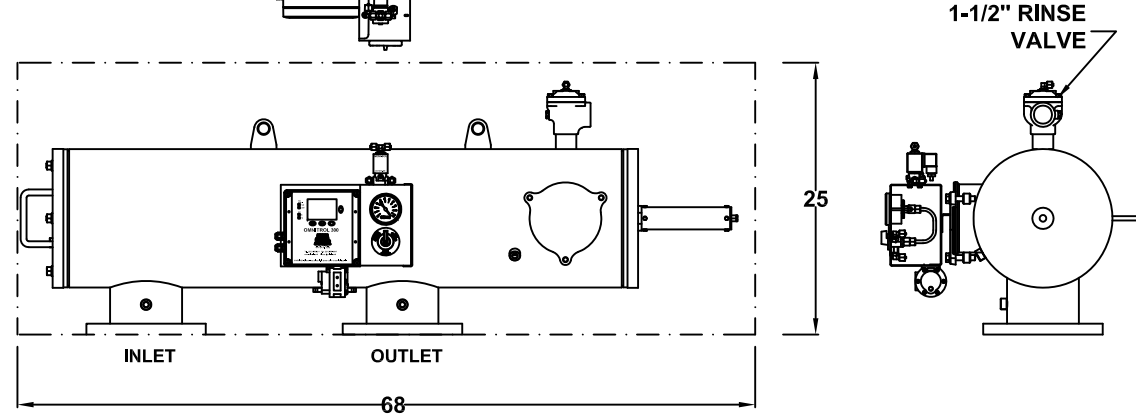
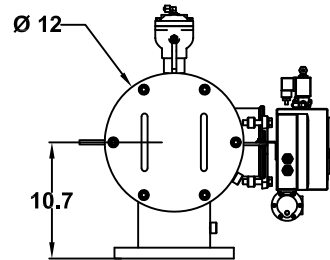
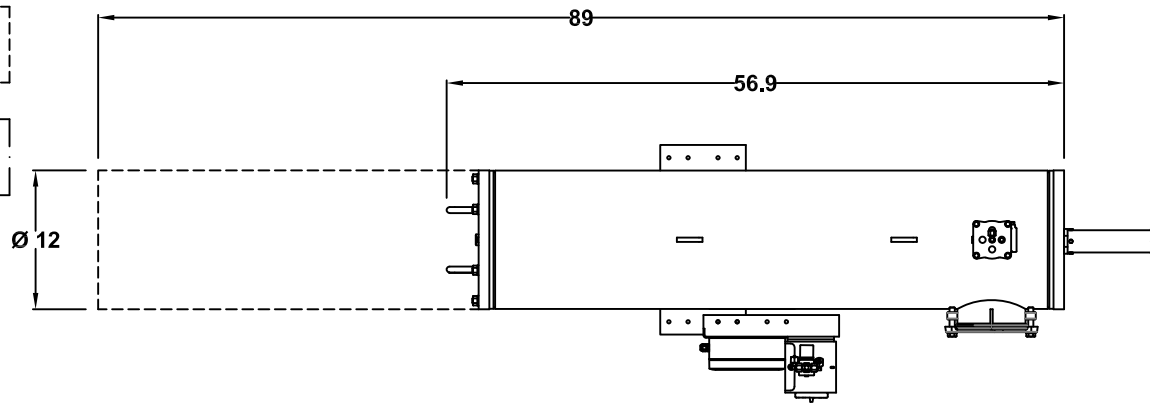


FREE SPACE REQUIRED  
FOR MAINTENANCE

FREE SPACE REQUIRED  
FOR INSTALLATION



### TECHNICAL DATA

MAXIMUM FLOW RATE:	660 G.P.M.
AVAILABLE SCREEN MICRON SIZES:	5, 10, 15, 25, 30, 40, 50, 80, 100, 120, 150, 200, 300, 400, 800, 1000, 1500, 3000
OPEN SCREEN AREA STANDARD SCREEN:	413 SQ. INCHES
OPEN AREA HIGH PERFORMANCE MULTI LAYERED SINTERED SCREEN:	620 SQ. INCHES
MAXIMUM WORKING PRESSURE:	150 PSIG
MINIMUM INLET PRESSURE REQUIRED DURING RINSE CYCLE	30 PSIG
MAX. WORKING TEMPERATURE:	150°F
INLET/OUTLET FLANGES:	6" ANSI 150# RF
DRAIN VALVE CONNECTION:	1-1/2"
DRAIN HEADER SIZE:	1-1/2" MINIMUM
APPROXIMATE WEIGHT - DRY:	400 LBS.
APPROXIMATE SHIPPING WEIGHT:	490 LBS.
APPROXIMATE WEIGHT FULL OF WATER:	505 LBS.

**ALL DIMENSIONS IN INCHES UNLESS INDICATED**  
Orival Inc. reserves the right to modify filter dimensions without prior notice.

### DATA SHEET

# ORZ-06-PS

**AUTOMATIC SELF-CLEANING FILTER**

### ORIVAL, INC.

213 S. VAN BRUNT ST.  
ENGLEWOOD, N.J. 07631  
TEL (201) 568-3311, FAX (201) 568-1916  
[www.orival.com](http://www.orival.com)  
[filters@orival.com](mailto:filters@orival.com)