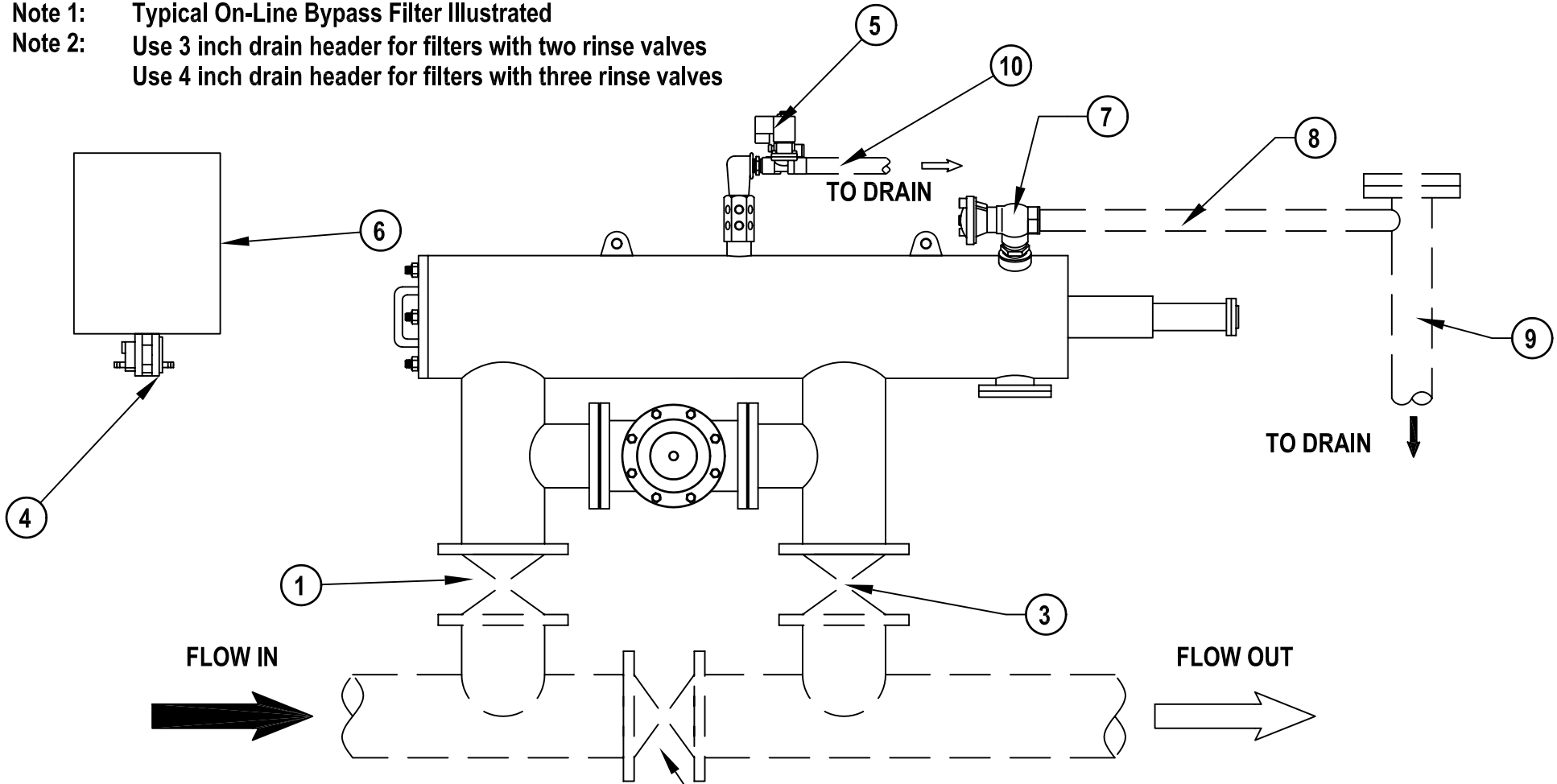


- Note 1:** Typical On-Line Bypass Filter Illustrated
Note 2: Use 3 inch drain header for filters with two rinse valves
 Use 4 inch drain header for filters with three rinse valves



10	1/2" Drain Line	Customer Supplied
9	Drain Header	See Note 2
8	2 Inch Drain Line	Customer Supplied
7	Rinse Valve	Qty. Varies w/Filter Model
6	OMNITROL Controller	Remotely Mounted
5	2-Way Solenoid Valve	24 V, 60 Hz, Normally Closed
4	Differential Pressure Switch	Preset to 7 psi - increasing
3	Outlet Isolation Valve	Customer Supplied
2	Manual Bypass Valve	Customer Supplied
1	Inlet Isolation Valve	Customer Supplied
No.	Description	Notes

DWG. NO. 1013	SCALE: NONE
DRAWN BY: G KALINOWSKI	DATE: 05/26/05

ORIVAL, INC. 213 S. VAN BRUNT ST. ENGLEWOOD, N.J. 07631 TEL (201) 568-3311, FAX (201) 568-1916 www.orival.com filters@orival.com
INSTALLATION LAYOUT FOR A TYPICAL BUILT-IN BYPASS FILTER WITH MANUAL BYPASS