

**FREE SPACE REQUIRED  
FOR MAINTENANCE**

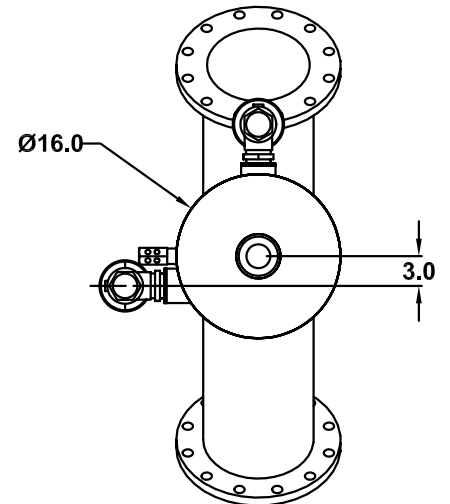
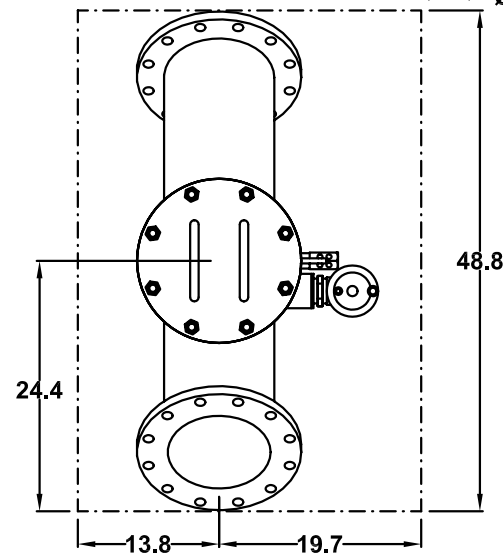
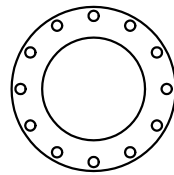
**FREE SPACE REQUIRED  
FOR INSTALLATION**

**ALL DIMENSIONS IN INCHES UNLESS  
INDICATED**

Orival Inc. reserves the right to modify filter dimensions without  
prior notice.

### TECHNICAL DATA

<b>MAXIMUM FLOW RATE:</b>	1760 G.P.M.
<b>AVAILABLE SCREEN MICRON SIZES:</b>	5, 10, 15, 25, 30, 40, 50, 80, 100, 120, 150, 200, 400, 800, 1000, 1500, 3000
<b>OPEN AREA STANDARD SCREEN:</b>	632 SQ. INCHES
<b>OPEN AREA HIGH PERFORMANCE SINTERED MULTI-LAYERED SCREEN:</b>	950 SQ. INCHES
<b>MAXIMUM WORKING PRESSURE:</b>	150 PSIG
<b>MINIMUM INLET PRESSURE REQUIRED DURING RINSE CYCLE:</b>	30 PSIG
<b>MAX. WORKING TEMPERATURE:</b>	150°F
<b>INLET/OUTLET FLANGES:</b>	10" ANSI 150#
<b>DRAIN VALVE CONNECTION:</b>	2 X 2" THREADED
<b>DRAIN HEADER SIZE:</b>	3" MINIMUM
<b>APPROX. EMPTY WEIGHT:</b>	565 LBS.
<b>APPROX. FULL OF WATER WEIGHT:</b>	1095 LBS.



### DATA SHEET

# OR-10-IS

**AUTOMATIC SELF-CLEANING FILTER**

**ORIVAL, INC.**

213 S. VAN BRUNT ST.

ENGLEWOOD, N.J. 07631

TEL (201) 568-3311, FAX (201) 568-1916

www.orival.com, filters@orival.com