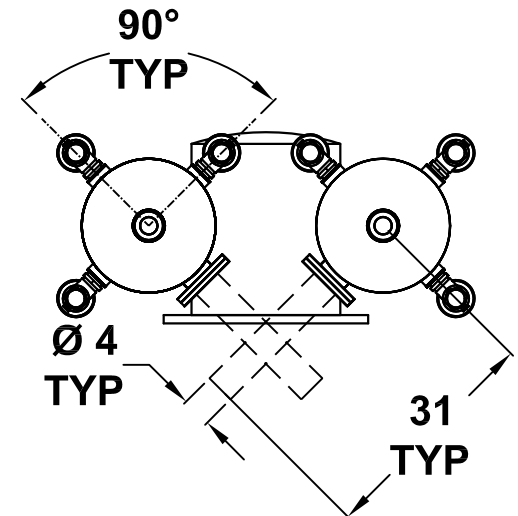
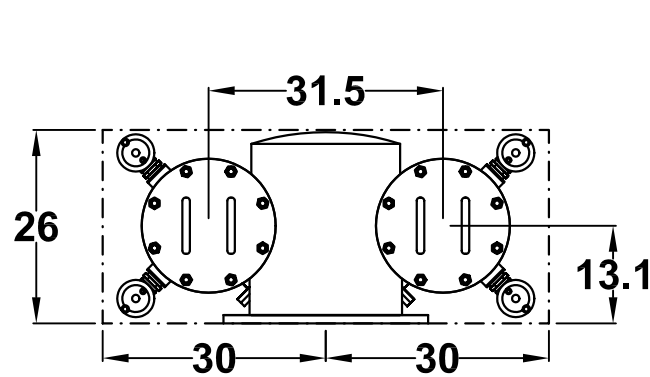
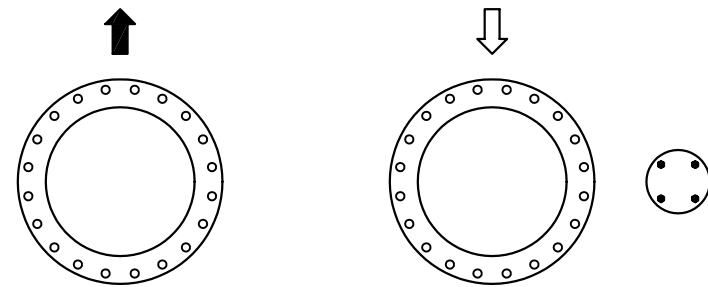


FREE SPACE REQUIRED  
FOR MAINTENANCE

FREE SPACE REQUIRED  
FOR INSTALLATION

ALL DIMENSIONS IN INCHES UNLESS INDICATED

Orival Inc. reserves the right to modify filter dimensions without prior notice.



### TECHNICAL DATA

MAXIMUM FLOW RATE:	8100 G.P.M.
AVAILABLE SCREEN SIZES:	50, 100, 200, 400 & 800 MICRON
OPEN SCREEN AREA:	2140 SQ. INCHES
MAXIMUM WORKING PRESSURE:	150 PSIG
MINIMUM INLET PRESSURE REQUIRED DURING RINSE CYCLE:	30 PSIG
MAX. WORKING TEMPERATURE:	150°F
INLET/OUTLET FLANGES:	20" ANSI 150#
DRAIN VALVE CONNECTION:	6 x 2"
DRAIN HEADER SIZE:	4" MINIMUM
APPROXIMATE WEIGHT:	
EMPTY:	1400 LBS.
FULL OF WATER:	3300 LBS.

**OR-20-PSD**  
AUTOMATIC SELF-CLEANING FILTER

**ORIVAL, INC.**  
213 S. VAN BRUNT ST.  
ENGLEWOOD, N.J. 07631  
TEL (201) 568-3311, FAX (201) 568-1916