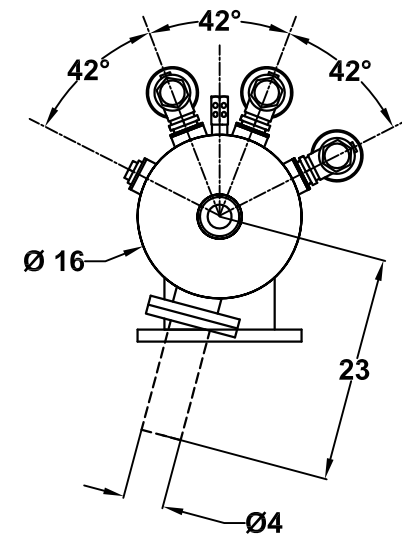
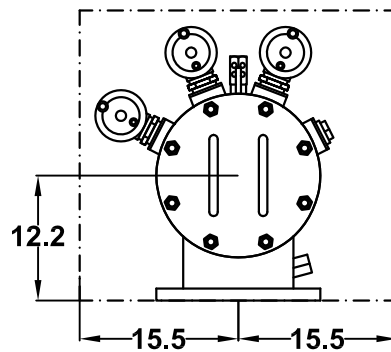
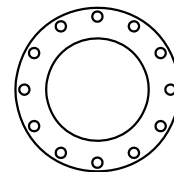
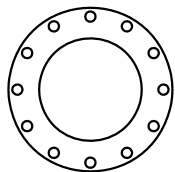


FREE SPACE REQUIRED FOR MAINTENANCE

FREE SPACE REQUIRED FOR INSTALLATION



Orival Inc. reserves the right to modify filter dimensions without prior notice.

ALL DIMENSIONS IN INCHES UNLESS INDICATED

TECHNICAL DATA

MAXIMUM FLOW RATE:	1760 G.P.M.
AVAILABLE SCREEN MICRON SIZES:	5, 10, 15, 25, 30, 40, 50, 80, 100, 120, 150, 200, 400, 800, 1000, 1500, 3000
OPEN AREA STANDARD SCREEN :	945 SQ. IN.
OPEN AREA HIGH PERFORMANCE SINTERED MULTI-LAYERED SCREEN:	1420 SQ. IN.
MAXIMUM WORKING PRESSURE:	150 PSIG
MINIMUM INLET PRESSURE REQUIRED DURING RINSE CYCLE:	30 PSIG
MAX. WORKING TEMPERATURE:	150°F
INLET/OUTLET FLANGES:	10" ANSI 150#
DRAIN VALVE CONNECTION:	3 X 2" THREADED
DRAIN HEADER SIZE:	4" MINIMUM
APPROX. EMPTY WEIGHT:	595 LBS.
APPROX. FULL OF WATER WEIGHT:	1220 LBS.

DATA SHEET
ORI-10-PE
AUTOMATIC SELF-CLEANING FILTER

REV 4/14

ORIVAL, INC.
 213 S. VAN BRUNT ST.
 ENGLEWOOD, N.J. 07631
 TEL (201) 568-3311, FAX (201) 568-1916
 www.orival.com, filters@orival.com