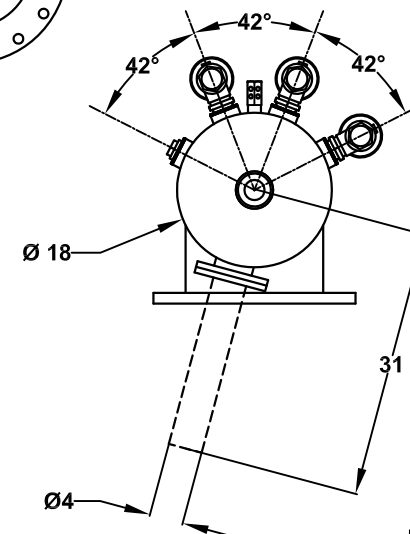
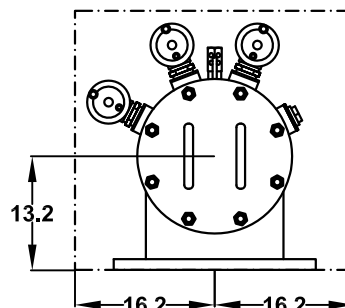
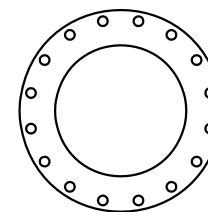
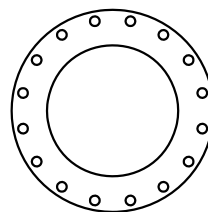


FREE SPACE REQUIRED
FOR MAINTENANCE

FREE SPACE REQUIRED
FOR INSTALLATION

ALL DIMENSIONS IN INCHES UNLESS INDICATED

Orival Inc. reserves the right to modify filter dimensions without prior notice.



TECHNICAL DATA

| | |
|---|---|
| MAXIMUM FLOW RATE: | 4840 G.P.M. |
| AVAILABLE SCREEN MICRON SIZES: | 5, 10, 15, 25, 30, 40, 50, 80, 100, 120, 150, 200, 400, 800, 1000, 1500, 3000 |
| OPEN AREA STANDARD SCREEN : | 1070 SQ. INCHES |
| OPEN AREA HIGH PERFORMANCE SINTERED MULTI-LAYERED SCREEN: | 1605 SQ. INCHES |
| MAXIMUM WORKING PRESSURE: | 150 PSIG |
| MINIMUM INLET PRESSURE REQUIRED DURING RINSE CYCLE: | 30 PSIG |
| MAX. WORKING TEMPERATURE: | 150°F |
| INLET/OUTLET FLANGES: | 16" ANSI 150# |
| DRAIN VALVE CONNECTION: | 3 X 2" THREADED |
| DRAIN HEADER SIZE: | 4" MINIMUM |
| APPROX. EMPTY WEIGHT: | 965 LBS. |
| APPROX. FULL OF WATER WEIGHT: | 1955 LBS. |

DATA SHEET

ORI-16-PS

AUTOMATIC SELF-CLEANING FILTER

REV 4/14

ORIVAL, INC.
 213 S. VAN BRUNT ST.
 ENGLEWOOD, N.J. 07631
 TEL (201) 568-3311, FAX (201) 568-1916
 www.orival.com, filters@orival.com