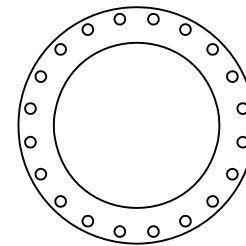
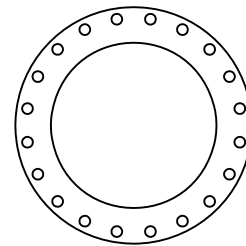


**FREE SPACE REQUIRED
FOR MAINTENANCE**

**FREE SPACE REQUIRED
FOR INSTALLATION**

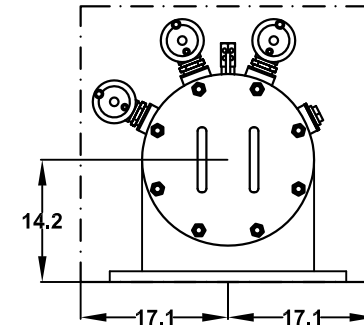
ALL DIMENSIONS IN INCHES UNLESS INDICATED

Orival Inc. reserves the right to modify filter dimensions without prior notice.



TECHNICAL DATA

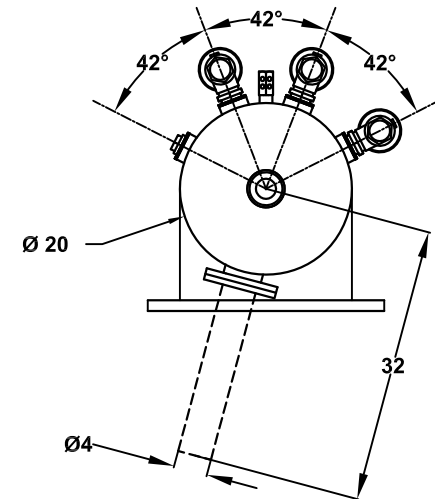
MAXIMUM FLOW RATE:	8100 G.P.M.
AVAILABLE SCREEN SIZES:	5, 10, 15, 25, 30, 40, 50, 80, 100, 120, 150, 200, 400, 800, 1500, 3000
OPEN AREA STANDARD SCREEN :	1070 SQ. INCHES
HIGH PERFORMANCE SINTERED OPEN AREA MULTI-LAYERED SCREEN:	1605 SQ. INCHES
MAXIMUM WORKING PRESSURE:	150 PSIG
MINIMUM INLET PRESSURE REQUIRED DURING RINSE CYCLE:	30 PSIG
MAX. WORKING TEMPERATURE:	150°F
INLET/OUTLET FLANGES:	20" ANSI 150#
DRAIN VALVE CONNECTION:	3 X 2" THREADED
DRAIN HEADER SIZE:	4" MINIMUM
APPROX. EMPTY WEIGHT:	1070 LBS.
APPROX. FULL OF WATER WEIGHT:	2255 LBS.



DATA SHEET

ORI-20-PS

AUTOMATIC SELF-CLEANING FILTER



REV 4/14

ORIVAL, INC.

213 S. VAN BRUNT ST.

ENGLEWOOD, N.J. 07631

TEL (201) 568-3311, FAX (201) 568-1916